

# EVERPURE® CLARIS XXL-LARGE FILTER CARTRIDGE

ADJUSTABLE ION-SELECTIVE FILTERS TO TAILOR CARBONATE HARDNESS LEVELS IN POTABLE WATER

Claris XXL-Large Filter Cartridge: EV4339-14



## APPLICATIONS

Coffee	Self-cooking systems
Espresso	Steam cookers and ovens
Hot drink vending	Brewed iced tea
Combi steamers	

## FEATURES • BENEFITS

<p>Five (5) - stage filtration process</p> <ul style="list-style-type: none"> <li>• Prefiltration</li> <li>• Carbonate hardness adjustment*</li> <li>• Fine filtration*</li> <li>• Highly efficient carbon block</li> <li>• Solid membrane filter</li> <li>• Operation in vertical or horizontal position</li> </ul> <p>*Not performance tested or certified by NSF® International</p>	<p>Removes harmful contaminants and unpleasant odors and tastes</p> <p>Removes particles down to five (5) microns for highest equipment protection*</p> <p>*Not performance tested or certified by NSF International</p>
--	--

## INSTALLATION TIPS

The system can be operated freestanding horizontally or vertically

Water pressure at the filter system inlet must not exceed 116 psi (8 bar). A pressure reducer valve must be installed on the water supply side of the filter system if the inlet pressure exceeds 116 psi (8 bar)

Shut off valve must be installed upstream of the filter

Refer to Installation, Operation & Maintenance Manual for cartridge flushing and start-up

## OPERATION TIPS

Change Claris cartridge when its pre-calculated water volume has been reached or at least once per year

Change cartridges when capacity is reached

Always flush the filter cartridge at time of installation and cartridge change

Do not use hardness test strips to check for hardness reduction. Please use Titration kit to check for hardness reduction

## SIZING

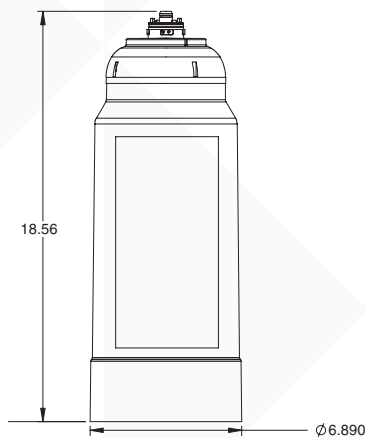
Service Flow Rate: 1.0 gpm (3.7 Lpm)

Capacity:  
2,910 gallons (11,000 L) for espresso\*  
3,490 gallons (13,200 L) for OCS/Coffee\*

\*This capacity is based on influent water hardness of 180 ppm with standard bypass settings. For steam applications and other hardness levels consult installation and operations guide capacity and bypass settings charts

# EVERPURE® CLARIS XXL-LARGE FILTER CARTRIDGE

## EV4339-14



### SPECIFICATIONS

#### Overall Dimensions

18.56" H x 6.89" dia (47.1 x 17.5 cm)

#### Capacity

2,910 gallons (11,000 L) for espresso\*  
3,490 gallons (13,200 L) for OCS/Coffee\*

#### Service Flow Rate

1.0 gpm (3.7 Lpm)

#### Pressure Requirements

29 - 116 psi (2 - 8 bar), non-shock

#### Temperature

39 - 86°F (4 - 30°C)

#### Electrical Connection

None required

\*This capacity is based on influent water hardness of 180 ppm with standard bypass settings. For steam applications and other hardness levels consult installation and operations guide capacity and bypass settings charts.

The contaminants or other substances removed or reduced by this drinking water system are not necessarily in your water. Do not use with water that is microbiologically unsafe or of unknown quality without adequate disinfection before or after the system.

### WARRANTY

Everpure Claris by Pentair® water treatment systems are covered by a limited warranty against defects in material and workmanship for a period of one year after date of purchase. Everpure replaceable elements (filter cartridges and water treatment cartridges) are covered by a limited warranty against defects in material and workmanship for a period of one year after date of purchase. See printed warranty for details. Pentair will provide a copy of the warranty upon request.



#### FILTRATION & PROCESSING SOLUTIONS

EVERPURE-SHURFLO WORLD HEADQUARTERS, 1040 MUIRFIELD DRIVE, HANOVER PARK, IL 60133 USA • WWW.EVERPURE.COM  
800.942.1153 MAIN (US ONLY) • 630.307.3000 MAIN • 630.307.3030 FAX • CSEVERPURE@PENTAIR.COM EMAIL

EVERPURE-SHURFLO AUSTRALIA / NEW ZEALAND, 1-21 MONASH DRIVE, DANDENONG SOUTH, VIC, 3175, AUSTRALIA  
1300.576.190 TEL • AU.EVERPURE@PENTAIR.COM EMAIL

EVERPURE-SHURFLO CHINA, 21F CLOUD 9 PLAZA, NO 1118, SHANGHAI, 200052, CHINA  
86.21.3211.4588 TEL • 86.21.3211.4580 FAX • CHINA.WATER@PENTAIR.COM EMAIL

EVERPURE-SHURFLO INDIA, GREEN BOULEVARD, B-9/A, 7TH FLOOR - TOWER B SECTOR 62, NOIDA - 201301  
91.120.419.9444 TEL • 91.120.419.9400 FAX • INDIACUSTOMER@PENTAIR.COM EMAIL

EVERPURE-SHURFLO EUROPE, PENTAIR WATER BELGIUM BVBA, INDUSTRIEPARK WOLFSTEE, TOEKOMSTLAAN, 30 B-2200 HERENTALS, BELGIUM  
+32.(0).14.283.500 TEL • +32.(0).14.283.505 FAX • SALES@EVERPURE-EUROPE.COM EMAIL

EVERPURE-SHURFLO JAPAN INC., HASHIMOTO MN BLDG. 7F, 3-25-1 HASHIMOTO, MIDORI-KU, SAGAMIHARA-SHI KANAGAWA 252-0143, JAPAN  
81.(0)42.775.3011 TEL • 81.(0)42.775.3015 FAX • INFO@EVERPURE.CO.JP EMAIL

EVERPURE-SHURFLO SOUTHEAST ASIA, 390 HAVELOCK ROAD, #04-01, KING'S CENTRE, SINGAPORE 169662  
65.6795.2213 TEL • FAX: 65.6795.2219 FAX • CSEVERPURE@PENTAIR.COM EMAIL

All Pentair trademarks and logos are owned by Pentair, Inc. All other brand or product names are trademarks or registered marks of their respective owners. Because we are continuously improving our products and services, Pentair reserves the right to change specifications without prior notice. Pentair is an equal opportunity employer.